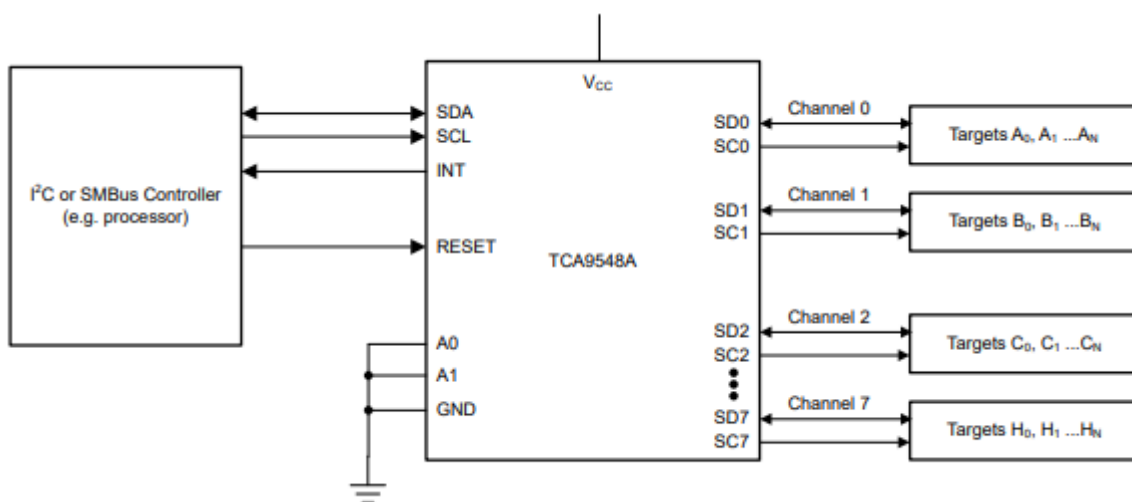
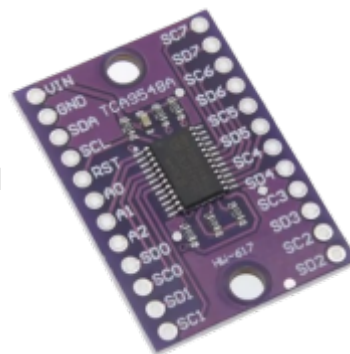


IamaPLC: TCA9548A (HW617); Low-Voltage 8-Channel I²C Switch Module

The TCA9548A device features eight bidirectional switches that can be controlled via the I²C bus. The upstream SCL/SDA pair connects to eight downstream channels. Any individual channel or combination of channels can be selected by programming the control register. These downstream channels resolve I²C target address conflicts. For example, if eight identical digital temperature sensors are required in the application, one sensor can be connected to each channel: 0-7.



 If you'd like to support the development of the site with the price of a coffee — or a few — [please do so here](#).

Here's a handy tip: you can quickly save this page as a PDF by clicking "export to PDF" in the menu on the right side of the screen.

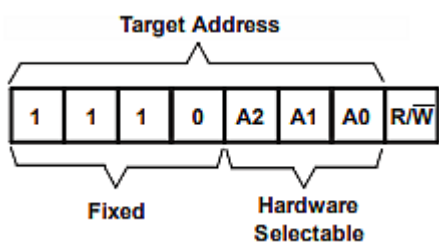
2026/02/14 23:38

Technical data

- 1-to-8 Bidirectional translating switches
- I²C Bus and SMBus compatible
- Active-low reset input
- Three address pins, allowing up to eight TCA9548A devices on the I²C bus
- Channel selection through an I²C Bus, in any combination
- Power up with all switch channels deselected
- Low RON switches

- Allows voltage-level translation between 1.8V, 2.5V, 3.3V, and 5V buses
- No glitch on power up
- Supports hot insertion
- Low standby current
- Operating power-supply voltage range of **1.65 to 5.5 V**
- 5-V Tolerant inputs
- 0 to 400kHz Clock frequency
- Latch-up performance exceeds 100mA per JESD 78, class II

Device Address



The last bit of the target address defines the operation (read or write) to be performed. When it is high (1), a read is selected, while a low (0) selects a write operation. Shows the TCA9548A address reference:

Table 7-1. Address Reference

INPUTS			I ² C BUS TARGETADDRESS
A2	A1	A0	
L	L	L	112 (decimal), 70 (hexadecimal)
L	L	H	113 (decimal), 71 (hexadecimal)
L	H	L	114 (decimal), 72 (hexadecimal)
L	H	H	115 (decimal), 73 (hexadecimal)
H	L	L	116 (decimal), 74 (hexadecimal)
H	L	H	117 (decimal), 75 (hexadecimal)
H	H	L	118 (decimal), 76 (hexadecimal)
H	H	H	119 (decimal), 77 (hexadecimal)

Arduino

To call the module, you only need the “wire” library. The code below scans the module, for example:

```

/**
 * TCA9548 I2CScanner.ino -- I2C bus scanner for Arduino
 *
 * Based on https://playground.arduino.cc/Main/I2cScanner/
 */

#include "Wire.h"

#define TCAADDR 0x70

void tcaselect(uint8_t i) {

```

```
    if (i > 7) return;

    Wire.beginTransmission(TCAADDR);
    Wire.write(1 << i);
    Wire.endTransmission();
}

// standard Arduino setup()
void setup()
{
    while (!Serial);
    delay(1000);

    Wire.begin();

    Serial.begin(115200);
    Serial.println("\nTCAScanner ready!");

    for (uint8_t t=0; t<8; t++) {
        tcselect(t);
        Serial.print("TCA Port #"); Serial.println(t);

        for (uint8_t addr = 0; addr<=127; addr++) {
            if (addr == TCAADDR) continue;

            Wire.beginTransmission(addr);
            if (!Wire.endTransmission()) {
                Serial.print("Found I2C 0x"); Serial.println(addr, HEX);
            }
        }
    }
    Serial.println("\ndone");
}

void loop()
{
}
```

More codes on the Adafruit website:

<https://learn.adafruit.com/adafruit-tca9548a-1-to-8-i2c-multiplexer-breakout/arduino-wiring-and-test>

Source

<https://www.ti.com/lit/ds/symlink/tca9548a.pdf>

I²C topics on lamaPLC

Page	Date	Tags
• lamaPLC Communication: 1-Wire	2026/04/23 21:51	1-wire, communication, bus, microlan, i2c, uart, usart, ds18b20
• lamaPLC Communication: I²C	2025/09/23 21:25	i2c, i c, smbus, philips, bus, communication, arduino
• LamaPLC: AHT10 Modul	2026/03/22 03:14	communication, i2c, temperature, humidity, sensor, aht, aht 10, modul
• LamaPLC: AHT20 / BMP280 Modul	2026/04/23 21:52	bmp280, aht20, adafruit, temperature, humidity, pressure, sensor, arduino, code, i2c
• LamaPLC: APDS - Avago ALS and proximity detection sensors with I²C communication	2026/04/23 21:52	avago, apds-9900, apds-9930, apds-9960, als, proximity, detection, gesture recognition, gesture, i2c, communication, sensor, arduino, code
• lamaPLC: AS5600 Magnetic Induction Angle Measurement Sensor Module	2026/03/28 23:50	communication, i2c, as5600, as-5600, magnetic, induction, angle, sensor
• lamaPLC: Bi-Directional Logic Level Converter 3.3V ↔ 5V	2026/04/12 00:34	bi-directional, logic level converter, i2c, uart, spi
• LamaPLC: BMP/BME Bosch Temperature/Humidity/Pressure sensors with I²C communication	2026/04/23 21:52	bme280, bme680, bmp180, bmp280, hw-611, hw611, bosch, temperature, humidity, pressure, sensor, arduino, i2c, communication, cjmcu
• LamaPLC: CJMCU-219/INA-219 breakout board/IC with I²C communication	2026/04/23 21:52	cjmcu-219, ina-219, ina219, breakout board, i2c, communication, sensor, voltage, current, arduino, code, cjmcu
• LamaPLC: CJMCU-3216 / AP-3216 integrated digital ambient light and proximity sensor module/IC with I²C communication	2026/04/23 21:52	cjmcu-3216, cjmcu, ap-3216, ap3216, ambient light, proximity, sensor, arduino, code, i2c, communication
• lamaPLC: CJMCU-811 CCS811 Gas Sensor (VOCs TVOC CO₂)	2026/03/22 00:08	cjmcu-811, ccs811, gas, sensor, vocs, tvoc, eco2, co2, arduino, air quality metal oxide, mox, i2c
• LamaPLC: D6T Omron Non-Contact Thermal Sensors with I²C communication	2026/04/23 21:52	d6t, d6t-32l, d6t-44l, d6t-8l, d6t-1a, omron, non-contact, thermal, sensor, i2c, arduino, code
• LamaPLC: DPS Infineon Temperature/Pressure sensors with I²C communication	2026/04/23 21:52	dps310, infineon, temperature, pressure, sensor, arduino, i2c, communication, code
• lamaPLC: Energy, power, current, and voltage	2025/05/31 23:32	i2c, i c, communication, arduino, energy, power, current, sensor, ina226
• LamaPLC: ENS ScioSense Multi-gas sensors with I²C communication	2026/04/23 21:52	ens160, sciosense, gas-quality, i2c, communication, sensor, arduino, code, eco2, tvoc, aqi, indoor air quality, iaq, co2, voc

• lamaPLC: ESP32 / ESP8266	2025/11/22 00:07	esp8266, esp32, esp32-c2, esp32-c3, esp32-c5, esp32-c6, esp32-c61, esp32-h2, esp32-s2, esp32-s3, esp32-p4, espressif systems, communication, ethernet, ip, wi-fi, thread, zigbee, matter, homekit, bluetooth, mqtt, adc, spi, uart, i2c, i2s, rmt, pwm, usb, usb otg, twai
• LamaPLC: Gas sensors	2023/07/01 17:29	gas, sensor, i2c, onewire, communication, mq-3, mq-4, mq-5, mq-6, mq-7, mq-8, mq-9, mq-135, gm-102b, gm-302b, gm-502b, gm-702b, alcohol, ch4, natural gas, smoke, lng, co, co2, lpg, h2, iso-butane, nox, nh3, benzene, town gas, formaldehyde, propane, humidity, temperature, voc, grv gas sens v2
• lamaPLC: GY-511 6DOF sensor module	2026/03/22 01:44	stmicroelectronics, lsm303dlhc, i2c, lsm303, sensor, gy-511, 6dof, pololu, module, arduino
• LamaPLC: GY-9250 MPU-9250/6500 9-axis Attitude Sensor Board	2026/04/23 21:52	ak8963, gy-9250, mpu-9250, 9-axis, motion detection, magnetometer, communication, i c, i2c, spi
• LamaPLC: HDC Texas Instruments Temperature/humidity sensors with I²C communication	2026/04/23 21:52	sht21, htu21, si7021, gy-21, gy-213v, hdc1080, gy-213v-hdc1080, cjmcu, cjmcu-1080, texas instruments, temperature, humidity, sensor, i2c, communication, arduino, code
• lamaPLC: HT16K33 display controller	2026/04/23 21:51	i2c, 7-segment display, display, ht16k33, arduino
• LamaPLC: HTU TE Connectivity temperature/humidity sensors with I²C communication	2026/04/23 21:52	htu, htu31d, htu21d, htu20d, sht20, htu20, sht21, htu21, si7021, gy-21, gy-213v, hdc1080, si702, gy-20, sht31, htu31, si7031, gy-31, te connectivity, temperature, humidity, i2c, communication, sensor, arduino, code
• lamaPLC: INA modules with Arduino libraries	2026/04/11 19:54	i2c, i c, communication, arduino, energy, power, current, monitor, sensor, ina219, gy-219, ina226, gy-216, ina228, gy-228, ina237, ina238, ina260, ina3221, ina
• lamaPLC: INA226 - current/voltage/power monitor with I²C communication	2026/04/23 21:52	i2c, i c, communication, arduino, energy, power, current, monitor, sensor, ina226, ina219, ina
• lamaPLC: LCD 1602/2004 with I²C communication	2026/02/14 18:27	communication, i2c, display, lcd, 1602, 2004, hd44780, pcf8574, pcf8574t, pcf8574at, arduino
• LamaPLC: MAX30100/MAX30102 Heart Rate Click Sensor Module	2026/04/23 21:52	max30102, max30100, heart rate click, sensor, communication, i2c, arduino, code
• lamaPLC: MCP23017 / MCP23S17 16-Bit I/O Expander with Serial Interface I²C / SPI	2026/04/23 21:52	communication, i2c, mcp23017, mcp23s17, spi, i o expander, serial, cjmcu-2317, cjmcu

- [LamaPLC: Pixart PAJ7620U2 Gesture recognition sensors/module with I²C communication](#) 2026/04/23 21:52 [paj7620u2, gy-paj7620, pixart, gesture recognition, i2c, communication, sensor, arduino, code](#)
- [LamaPLC: SC16IS750 / SC16IS752: One or two serial \(UART\) ports from microcontroller via I²C or SPI communication](#) 2026/04/23 21:52 [cjmcu-750, cjmcu-752, cjmcu, nxp, sc16is750, sc16is752, uart, serial, i2c, spi, modul, converter, arduino, code](#)
- [LamaPLC: SGP Sensirion TVOC/VOC sensors with I²C communication](#) 2026/04/15 19:41 [sgp30, sgp40, sgp41, sensirion, gas-sensor, i2c, communication, sensor, arduino, code, eco2, voc, tvoc, indoor air quality, iaq, nox, hydrogen](#)
- [LamaPLC: SHT Sensirion Temperature/humidity sensor with I²C communication](#) 2026/04/23 21:52 [sht20, sht21, sht25, sht30, sht31, sht35, sht40, gy21, temperature, humidity, i2c, communication, sensor, arduino, code](#)
- [lamaPLC: Signal level converters](#) 2026/02/14 23:47 [pca9306, i2c, voltage, level, converter](#)
- [lamaPLC: TCA9548A \(HW617\); Low-Voltage 8-Channel I²C Switch Module](#) 2026/02/14 23:51 [tca9548a, hw617, i2c, switch, communication, expansion board, arduino](#)
- [lamaPLC: TM1637 7-segment display](#) 2026/02/14 18:26 [i2c, 7-segment display, display, tm1637, arduino](#)
- [LamaPLC: TOFnnnC STMicroelectronics Time-of-Flight \(ToF\) sensors with I²C communication](#) 2026/04/23 21:52 [tof050c, vl6180, tof200c, vl53l0x, tof400c, vl53l1x, stmicroelectronics, time-of-flight, tof, i2c, communication, sensor, arduino, code](#)
- [LamaPLC: VL53Lnn STMicroelectronics time-of-flight \(ToF\) laser-ranging sensors with I²C communication](#) 2026/04/23 21:52 [vl53l0x, vl53l1x, vl53l0 1xv2, gy-530, time-of-flight, tof, laser-ranging, i2c, communication, sensor, arduino, code](#)
- [LamaPLC: VL6180X STMicroelectronics Time-of-Flight \(ToF\) sensor with I²C communication](#) 2026/04/23 21:52 [vl6180x, stmicroelectronics, time-of-flight, tof, i2c, communication, sensor, arduino, code](#)
- [Magnetic angle sensors](#) 2026/03/05 21:19 [magnetic angle sensor, magnetic flux, sensor, spi, i2c, pwm, communication, modul, as5047p, as5600, mt6701, mt6816, mt6835, tle5012b, amr, gmr, tmr, anisotropic magnetoresistive](#)
- [SSH1106/SSD1306 OLED Display with I²C communication](#) 2026/02/14 18:27 [i2c, oled, display, ssd1306, sh1106, ssh1106, arduino, cmos](#)

[TCA9548A, HW617, I2C, switch, communication, expansion board, Arduino](#)

This page has been accessed for: Today: 4, Until now: 5

From: <https://www.lamapl.de/> - **lamaPLC**

Permanent link: <https://www.lamapl.de/doku.php?id=sensor:tca9548a>

Last update: **2026/04/21 20:47**



